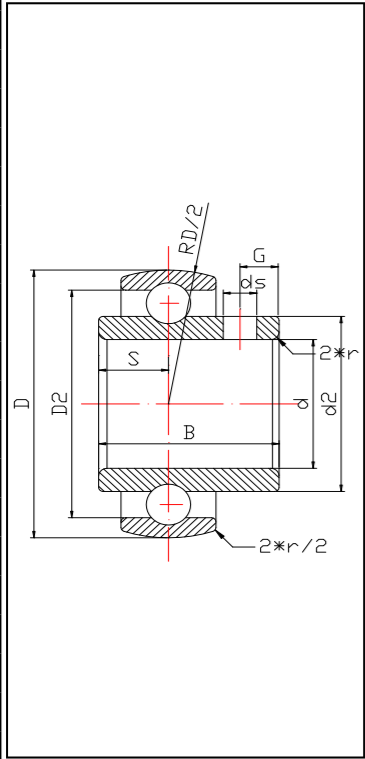


农机系列



型号	d	D	D2	De	Re	C	d2	d1	R1	B	S	ds	游隙C0	Dw	Z	G	r		
UC204-19	19.05	47	39.7	42.426	8.34	16	29.5	26.55	8.16	31	12.7	2*M5	170-200	7.938	8	6.5	1		
UC204	20	47	39.7	42.426	8.34	16	29.5	26.55	8.16	31	12.7	2*M5	170-200	7.938	8	6.5	1		
UC205	25	52	44.2	46.876	8.34	17	34	31	8.16	34.1	14.3	2*M5	170-200	7.938	9	6.5	1		
UC206	30	62	52.3	56.05	10	19	40.8	37	9.8	38.1	15.9	2*M6	180-210	9.525	9	7.5	1.25		
UC206-19	30.163	62	52.3	56.05	10	19	40.8	37	9.8	38.1	15.9	2*M6	180-210	9.525	9	7	1.25		
UC207	35	72	60.2	64.625	11.66	20	46.8	42.4	11.44	42.9	17.5	2*M6	180-210	11.112	9	7.5	1.25		
UC208	40	80	67.6	72	12.6	21	52.6	48	12.36	49.2	19	2*M6	180-210	12	9	8	1.25		
UC214-T	70	125	109	115.689	17.5	30	89	82.351	17.16	74.6	30.2	2*M12	200-240	16.669	10	13	1.5	M12* 1.5	
UC002	15	32	26.7	28.324	5	9	20.35	18.8	4.92	16.5	4.5	2*M3	100-140	4.762	9	3.75	0.8		
UC202	15	40	33.6	35.65	7.08	14	24.6	22.15	6.94	27.4	11.5	2*M3	120-160	6.747	7	4.5	1		
UC202F	15	47	36.8	39.731	9.16	16	25.2	22.269	9	31	12.7	2*M5	170-200	8.731	7	6.5	1		
UC201	12	40	33.6	35.65	7.08	14	24.6	22.15	6.94	27.4	11.5	2*M3	120-160	6.747	7	4.5	1		
UC203F	17	47	37	39.938	8.34	16	27	24.062	8.16	31	12.7	2*M5	170-200	7.938	7	6.5	1		
UC217	85	150	130	136.5	20	35	105.8	98.4	19.62	85.7	34.1	2*M10	230-290	19.05	9	17.1	2.2		
SU004	20	42	35	37.3	6.64	12	26.9	24.6	6.52	21	7	2*M3	120-160	6.35	9	4	0.6		

8粒球装不进