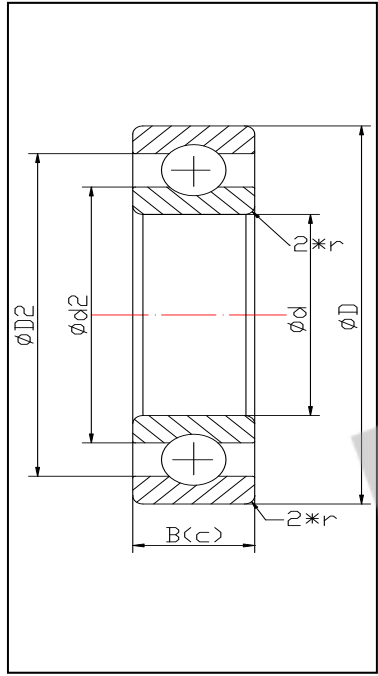
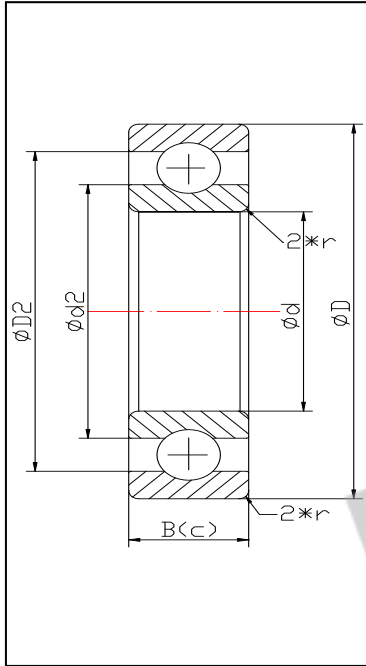


非标系列



型号	d	D	D2	De	Re	C	d2	d1	R1	B	游隙C0	Dw	Z	r	
55101	13	24	20.381	20.881	2.5	6	16.619	16.119	2.4	6	60-90	2.381	12	0.4	
55102	14	25.4	21.4	21.862	2.5	6	17.6	17.1	2.4	6	60-90	2.381	14	0.6	
55102-W	14	25.4	22.869	23.669	4.2	6	16.531	15.731	4.1	6	60-90	3.969	9	0.3	*
26/14.5	14.5	26	22.181	22.631	2.5	6	18.381	17.869	2.4	6	70-100	2.381	14	0.6	*
30.2/14.8	14.8	30.2	25.669	26.469	4.2	8	19.33	18.53	4.1	8	80-120	3.969	10	0.8	
47/17.5	17.5	47	37.5	39.747	7.08	12	28.5	26.243	6.94	12	90-130	6.747	9	1	
CB-777	19.05	25.4	22.86	23.425	1.2	3.96	21.59	21.025	1.2	3.96	60-90	1.2	26	0.3	
55112	21	49	36.9	37.381	2.5	5	33.06	32.619	2.4	5	60-90	2.381	20	1	满46
31/21.5	21.5	31	28.131	28.631	2.5	7	24.369	23.869	2.4	7	70-100	2.381	17	0.6	*
33.3/22.2	22.2	33.3	29.53	30.131	2.5	7	25.97	25.369	2.4	7	60-90	2.381	19	0.4	
38.2/27	27	38.2	34.38	34.981	2.5	7	30.82	30.219	2.4	7	60-90	2.381	23	0.4	
CB-253	33.33	44.45	41.56	42.065	3.32	6.35	36.22	35.705	3.26	6.35	60-90	3.175	51满	0.3	*
123005	44.45	54.45	50.9	51.45	2.1	4	48	47.45	2.06	4	100-140	2	77满	0.6	*

非标系列



型号	d	D	D2	De	Re	C	d2	d1	R1	B	游隙C0	Dw	Z	r	
CB345	50.8	66.675	61.9	62.707	4.2	7.938	55.6	54.769	4.1	7.938	70-100	3.969	24	0.7	*
KA030	76.2	88.9	84.15	85.725	3.32	6.35	80.95	79.375	3.26	6.35	90-130	3.175	40	0.8*45°	*
SA035ARO	88.9	101.6	97.6	98.425	3.32	6.35	92.9	92.075	3.26	6.35	100-140	3.175	48	0.4	*
101114635	101.6	114.3	109.55	111.13	3.32	6.35	106.35	104.78	3.26	6.35	100-140	3.175	55	0.4	*
DGW-100901-0100	101.6	127	117.6	120.65	6.64	12.7	111	107.95	6.52	12.7	140-190	6.35	30	1.5	*
SA045CPO	114.3	127	123	123.83	3.32	6.35	118.3	117.48	3.26	6.35	110-150	3.175	60	0.4	*
R259	152.4	165.1	160.4	161.925	3.32	9.525	157.1	155.575	3.26	9.525		3.175	79	1	塑料
CB7980	60	95	85.7	89.6625	按图	18	71.4	67.4275	11.44	18		11.113		满21	

55101	13	24	20.381	20.881	2.5	6	16.619	16.119	2.4	6	60-90	2.381	12	0.4	
55102	14	25.4	21.4	21.862	2.5	6	17.6	17.1	2.4	6	60-90	2.381	14	0.6	
55102-W	14	25.4	22.869	23.669	4.2	6	16.531	15.731	4.1	6	60-90	3.969	9	0.3	*
26/14.5	14.5	26	22.181	22.631	2.5	6	18.381	17.869	2.4	6	70-100	2.381	14	0.6	*
30.2/14.8	14.8	30.2	25.669	26.469	4.2	8	19.33	18.53	4.1	8	80-120	3.969	10	0.8	
47/17.5	17.5	47	37.5	39.747	7.08	12	28.5	26.243	6.94	12	90-130	6.747	9	1	
CB-777	19.05	25.4	22.86	23.425	1.2	3.96	21.59	21.025	1.2	3.96	60-90	1.2	26	0.3	
55112	21	49	36.9	37.381	2.5	5	33.06	32.619	2.4	5	60-90	2.381	20	1	满46
31/21.5	21.5	31	28.131	28.631	2.5	7	24.369	23.869	2.4	7	70-100	2.381	17	0.6	*
33.3/22.2	22.2	33.3	29.53	30.131	2.5	7	25.97	25.369	2.4	7	60-90	2.381	19	0.4	
38.2/27	27	38.2	34.38	34.981	2.5	7	30.82	30.219	2.4	7	60-90	2.381	23	0.4	
CB-253	33.33	44.45	41.56	42.065	3.32	6.35	36.22	35.705	3.26	6.35	60-90	3.175	51满	0.3	*
123005	44.45	54.45	50.9	51.45	2.1	4	48	47.45	2.06	4	100-140	2	77满	0.6	*
CB345	50.8	66.675	61.9	62.707	4.2	7.938	55.6	54.769	4.1	7.938	70-100	3.969	24	0.7	*
KA030	76.2	88.9	84.15	85.725	3.32	6.35	80.95	79.375	3.26	6.35	90-130	3.175	40	0.8*45°	*
SA035ARO	88.9	101.6	97.6	98.425	3.32	6.35	92.9	92.075	3.26	6.35	100-140	3.175	48	0.4	*
101114635	101.6	114.3	109.55	111.13	3.32	6.35	106.35	104.78	3.26	6.35	100-140	3.175	55	0.4	*
DGW-100901-0100	101.6	127	117.6	120.65	6.64	12.7	111	107.95	6.52	12.7	140-190	6.35	30	1.5	*
SA045CPO	114.3	127	123	123.83	3.32	6.35	118.3	117.48	3.26	6.35	110-150	3.175	60	0.4	*
R259	152.4	165.1	160.4	161.925	3.32	9.525	157.1	155.575	3.26	9.525		3.175	79	1	塑料